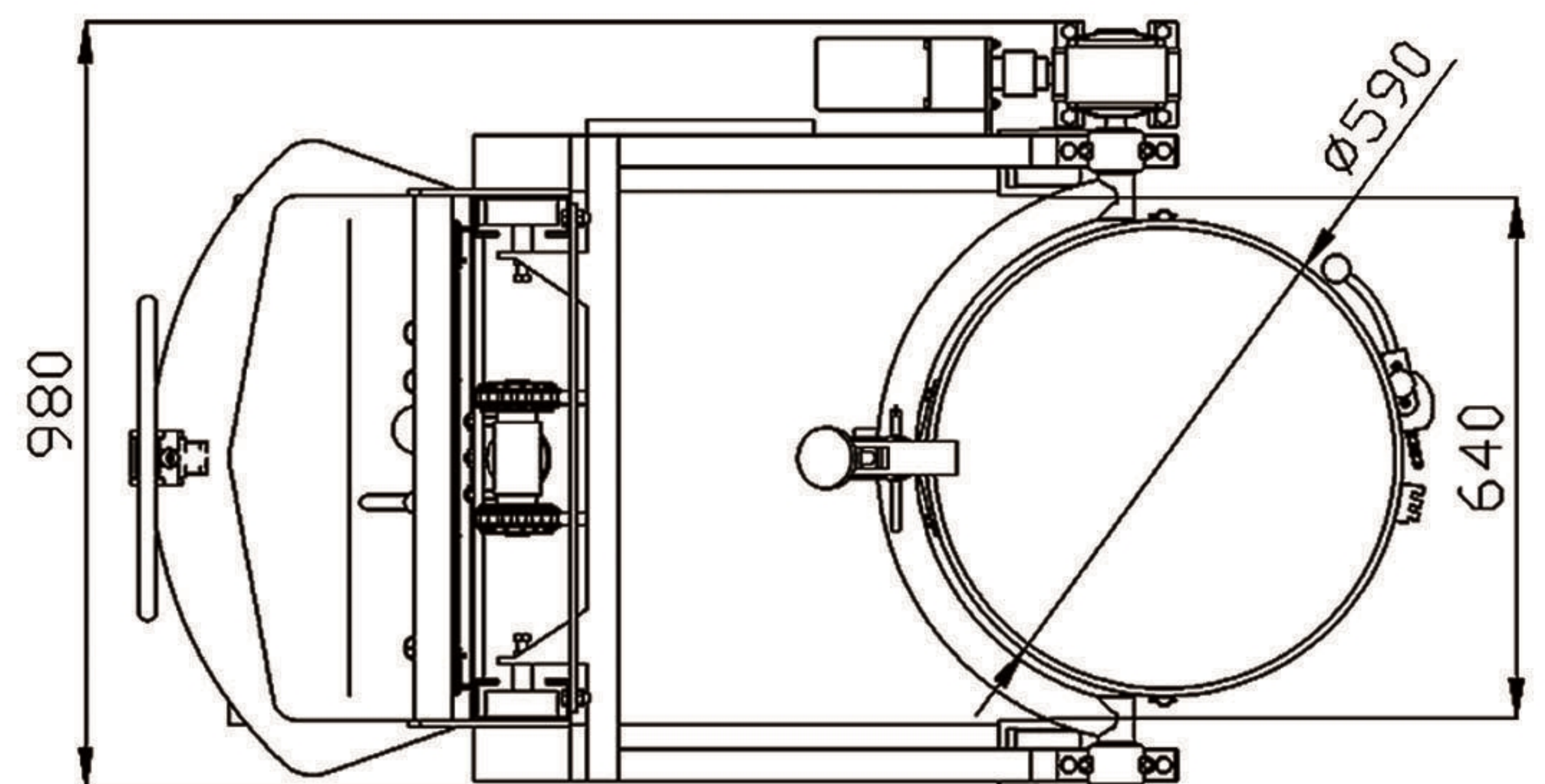
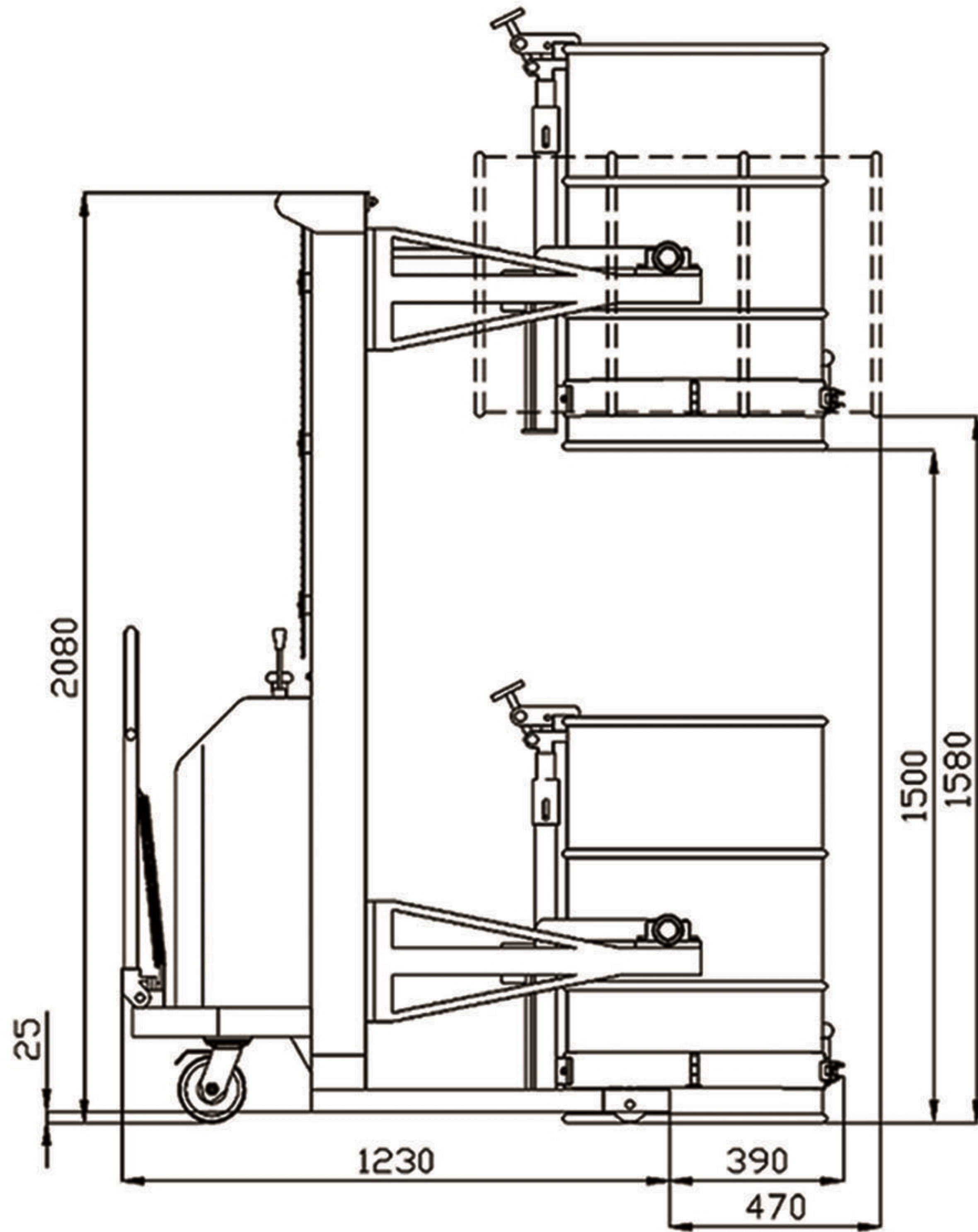


1. 选用优质液压泵站，动力强劲，免维护电池，电力持久。
 2. 特殊轧制工艺制造的“C”型门架，坚固安全。
 3. 抱箍式与叨扣式一体，适合钢制油桶和塑料油桶电动翻转。
- High quality hydraulic power unit and maintenance-free battery;
 - Special rolling technology of C-type frame is with strong security;
 - Combined Eagle-grip and Anchor ear structure, suitable for electric rotation of steel drums and plastic drums;



型号 Model		YL520
额定负载 Rated load capacity	kg	520
净重 Net weight	kg	264
脚轮规格 Wheel Dimension	mm	Ø80*55 / 150*50
转弯半径 Turning Radius	mm	1620
泵站功率 Pump Unit Power	KW/h	1.5
电池参数 Battery Parameter	Ah/V	120/12
提升速度 Lifting Speed	mm/s	120